

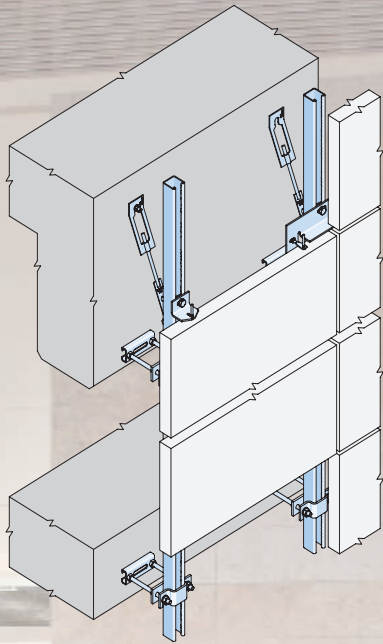
ROBIN HOOD AIRPORT

DONCASTER



HALFEN·DEHA

YOUR BEST CONNECTIONS



Designed by architects Leach Rhodes Walker and built by main contractor Bovis Lend Lease, the building offers all the facilities of a modern international airport.

Installation of the 40mm thick natural stone cladding was by Stone Cladding International, the variously sized panels being pre-cut and pre-slotted so that no site work was required on the stone. plates welded to steelwork provided the structural fixing of the SUK system, which provided all the adjustment required to ensure panels were perfectly aligned.

Peter Bowden, Stone Cladding International's project manager, says the SUK system was very simple to use and they were "certainly looking to use the system again"

Samba gold granite cladding panels have been secured around the lift shafts at the centre of the terminal building at the new Robin Hood Airport, Doncaster by means of Halfen's SUK system.

Client:
Peel Airports Development

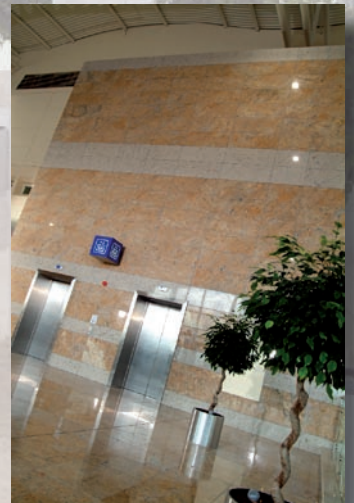
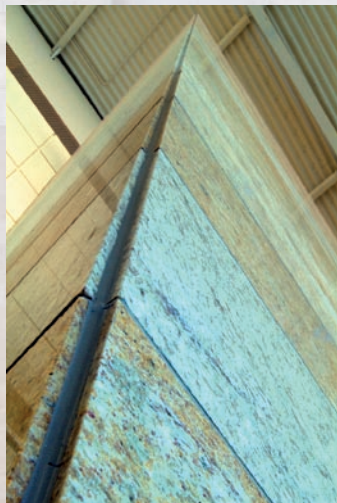
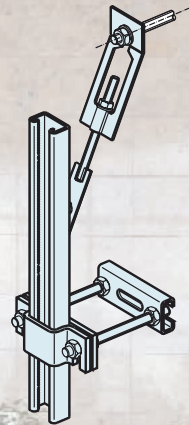
Architect:
Leach Rhodes Walker

Engineer:
Roscoe Capita

Main Contractor:
Bovis Lend Lease

Stone Installer:
Stone Cladding International

System Installer:
Stone Cladding International



HALFEN-DEHA

YOUR BEST CONNECTIONS

Halfen Limited Humphrys Road Woodside Estate Dunstable LU5 4TP
Tel: 08705 316 300 Fax: 08705 316 304
Email: info@halfen.co.uk Web: www.halfen.co.uk